

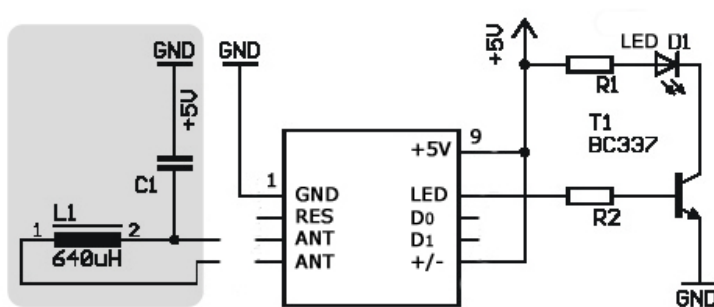
TRANSPONDER AND COMPONENTS



Block Module ID-10

- Low-cost Reader Module
- Transponder (4x02, Unique)
- Interface RS-232(TTL), Wiegand 26Bit
- integrated antenna (extern possible)
- easy to integrate

Schematic Diagram:



Technical Data:

Dimensions (lxwxh):	(25x26x7) mm
Power supply:	5V DC \pm 5%
Current consumption:	<13mA (300 mA Tag in Field)
Frequency:	125 KHz
Transponder:	EM 4x02 HID Unique, Q5 (unique mode)
Antenna:	integrated antenna, pins for external antenna
Interface :	RS-232 (TTL), Wiegand 26 Bit
Operating:	-10°C .. +50°C
Application example:	transmit Tag-ID (+CR/LF) as long as the Transponder is in the reading field