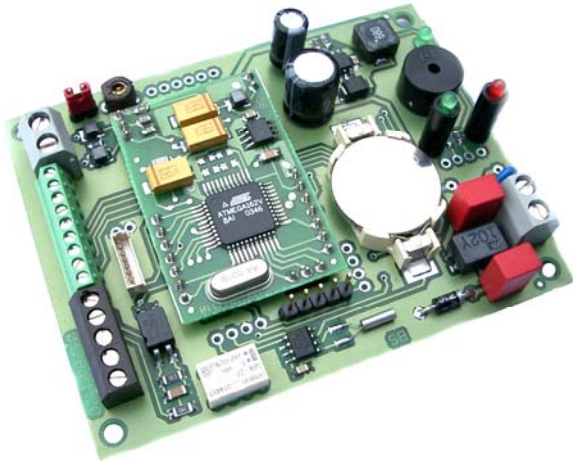


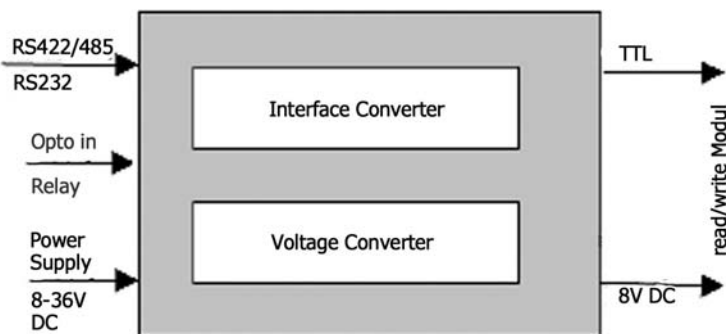
## TRANSPONDER AND COMPONENTS



### Interface IF-2000

- Interface for Module RM-200x
- RS-232, RS-422, RS-485, CAN
- Power supply 8-36VDC/8VAC
- Optocoupler input
- Option Realtime clock (battery backed)
- Relay output
- LED's, Beeper
- easy to install
- screw clamps

#### Schematic Diagram:



#### Technical Data:

Dimensions (lxbxh):	(88x57x18) mm
Power supply:	8-36V DC or 8 V AC
Current consumption:	100mA
Optocoupler input	8..36V DC, DC isolated, polarity free
Relay	1 x Um, 24V max. 1A, DC isolated
Interface:	RS232, RS422, RS485, CAN (13,56 MHz)
Operating:	-30°C .. +65°C