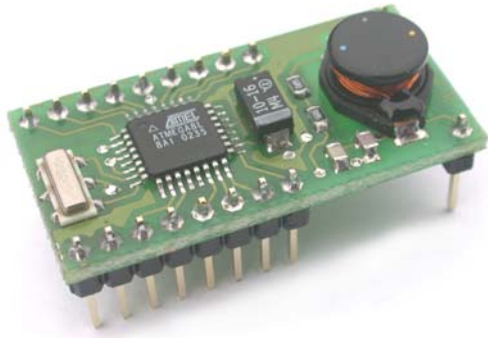


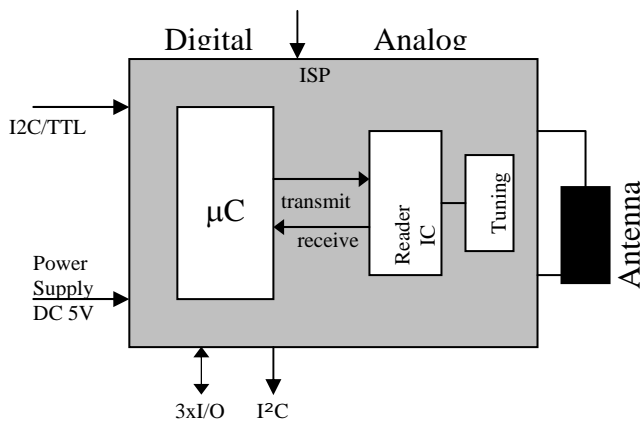
TRANSPONDER AND COMPONENTS



Miniature Reader MR-1000

- Mini RW-Reader, Format DIL 28 Socket
- Transponder EM, Philips, SID, Temic
- ISP Flash Software Update
- Interface RS-232 (TTL), I2C, SPI, (ISP)
- I/O Pins (switch, Relay, LED,..)
- integrated antenna (extern possible)
- easy to integrate

Schematic Diagram:



Technical Data:

Dimensions (lxwxh):	(36,5x18x10) mm	
Power supply:	5V DC ±5%	
Current consumption:	<60mA (stand-by 5mA)	
Frequency:	125 KHz	
Transponder: implemented up to 3 different types	EM	4x02, 4x50
	Philips	Hitag1, Hitag2, HitagS
	HID	Unique, Titan, Q5 (64/32)
	Atmel	T5551 (64/32), T5555, T5557
	others	ISO-FDX, ISO 11785 (e.g. Zodiack, 4105)
Antenna:	antenna on Board, pins for external antenna	
Interface :	RS-232 (TTL), I ² C , SPI, ISP, optional Wiegand	
Operating:	-20°C .. +65°C	
Application example:	transmit Tag-ID (+CR/LF) as long as the Transponder is in the reading field - Firmware on customer needs	