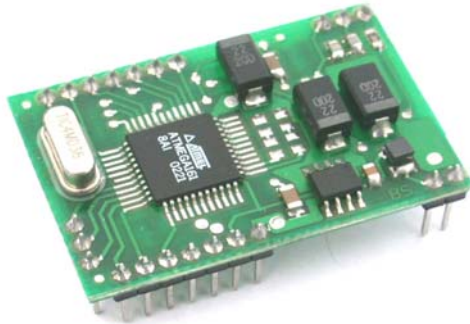


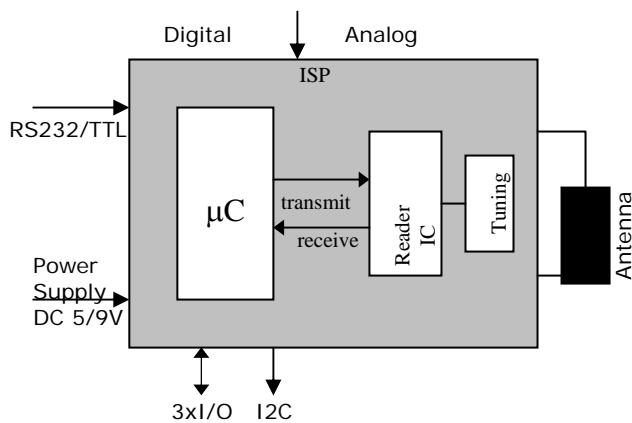
TRANSPONDER AND COMPONENTS



Module RM-200x

- 125 kHz Multi Tag / 13,56 MHz (I-Code, Mifare)
- Multi-Tag Read/Write Module
- Transponder EM, Philips, SID, Temic
- ISP Flash Software Update
- small Dimensions
- easy to integrate
- Interface RS-232(TTL)

Schematic Diagram:



Technical Data:

Dimensions (lxwxh):	(40x30x15) mm	
Power supply:	5/9V DC ±5%	
Current consumption:	<60mA (stand-by 5mA, sleep 40 µA)	
Frequency:	125 KHz / 13,56 MHz	
Transponder:	EM	4x02, 4x50
	Philips	Hitag1, Hitag2, Hitag S, I-Code, Mifare
	HID	Unique, Titan, Q5 (64/32)
	Atmel	T5551 (64/32), T5555, T5557
	others	ISO-FDX, ISO 11785 (e.g. Zoodiac, 4105)
Antenna:	Customer specific	
Interface :	RS-232 (TTL)	
Operating:	-30°C .. +65°C	
Accessory:	IF-2000, Interface Adapter (RS232, RS485, In-/Outputs, Beeper, Status LED's, screw clamps)	

Order-Information:

RM-200x /00	125 kHz (V4x02,V5x50, Hitag1, Hitag2, Hitag S, Unique, Titan, Q5, T5551, T5555, T5557)
RM-200x /01	13,56 MHz (I-Code, Mifare)
RM-200x /02	13,56 MHz (I-Code)